

# SUPREME ATHMOS®

## ZERO EMISSIONS AND CONDITION MONITORING

The Supreme Athmos is a targeted design for ships with a shallow draught up to 5 metres such as larger yachts, cruise ships and ferries. This durable and self-regulating sealing solution guarantees zero emissions of oil and delivers you optimal Peace of Mind.

### ADVANTAGES

- Complies with the VGP and VIDA regulations
- 24/7 condition monitoring
- Zero emissions of oil
- Compact and self-regulatory system
- Highly corrosion resistant



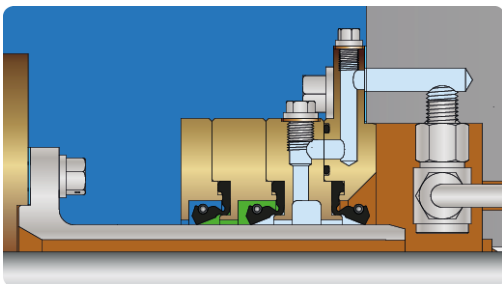
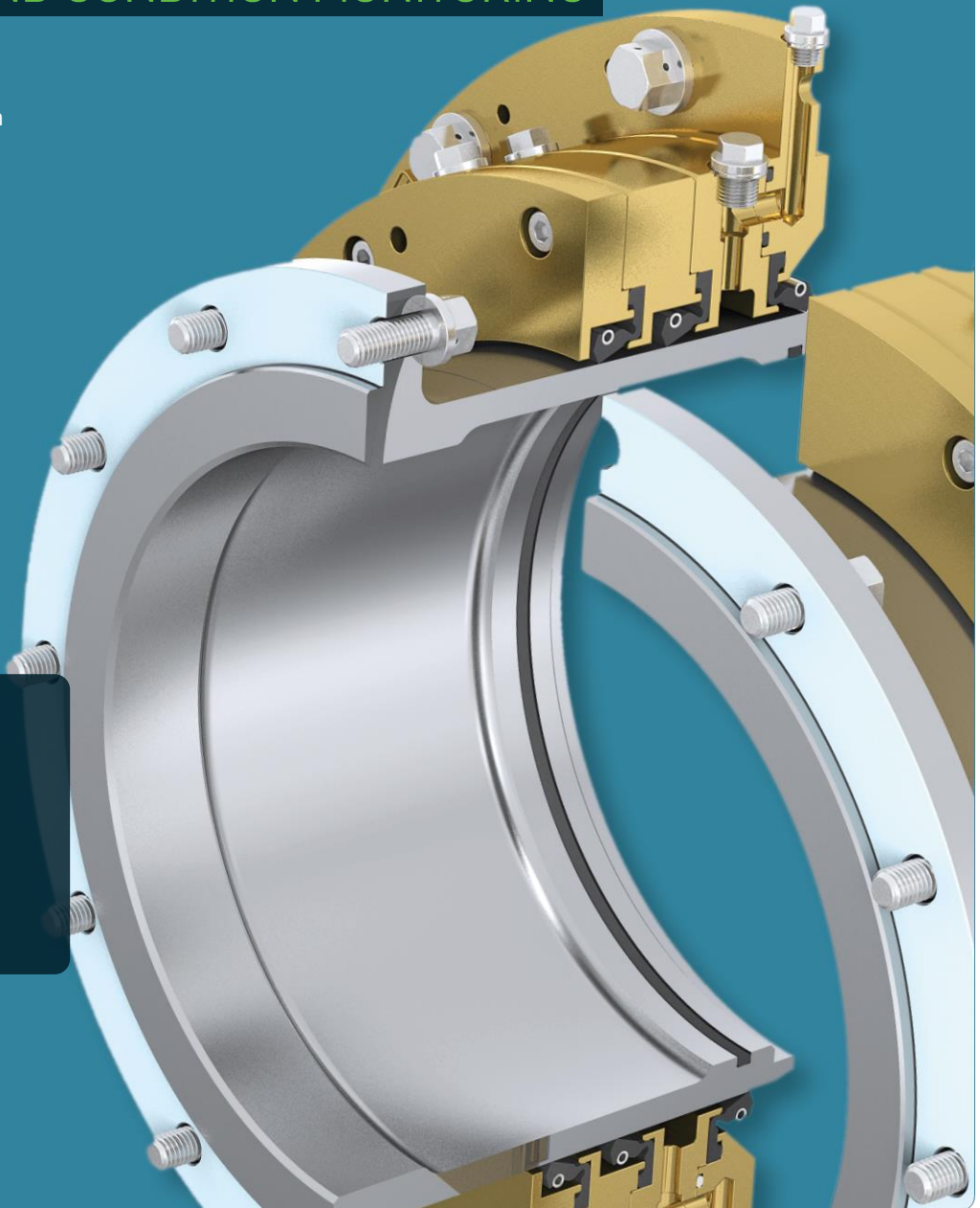
VGP  
COMPLIANT



CONDITION  
MONITORING



LIMITED  
DRAUGHTS

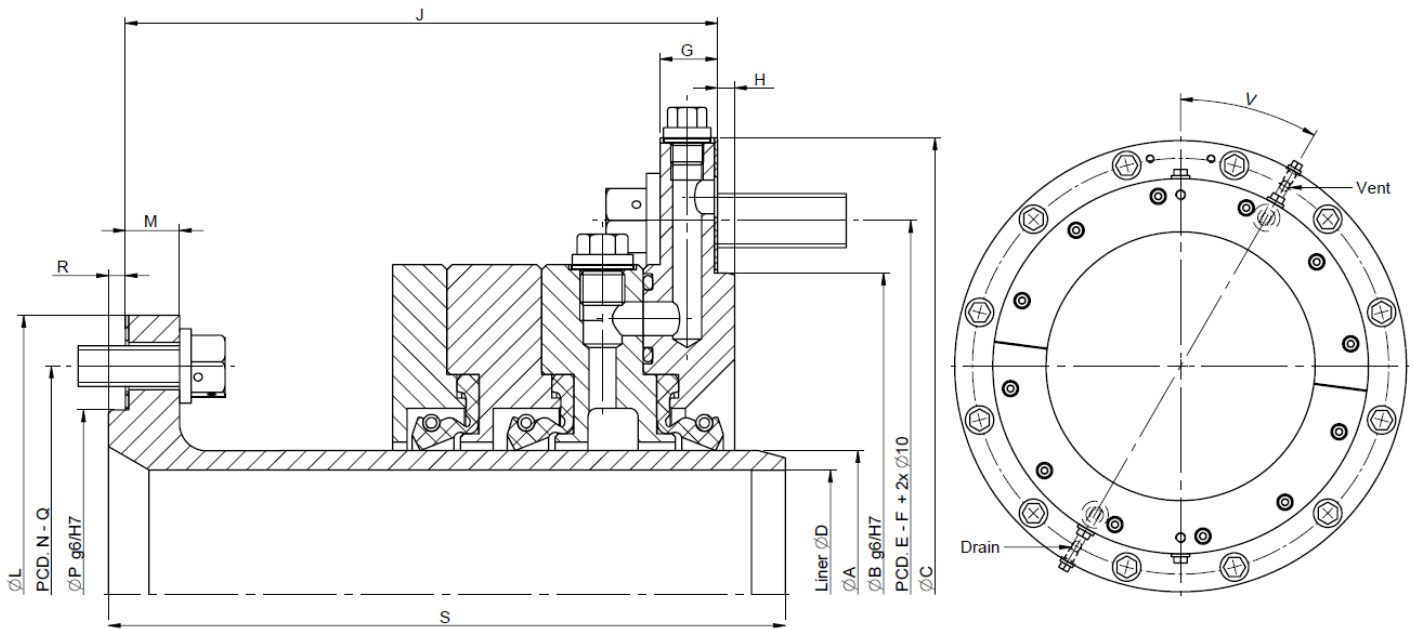


WATCH PRODUCT VIDEO

### MATERIALS

- NBR/FKM/FKM-EAL lip seals
- Bronze housing parts
- Stainless steel liner
- Air Control Unit (ACU)
- Optional: Hastelloy® C4 springs
- Optional: 80 liter lube oil tank

Type approvals from the major classification societies are available [here](#). Curious about all customized options? [Take a look at the overview for all possibilities!](#)



A	D	B	C	E	F	G	H	J	L	M	N	Q	P	R	S	V
140	116 - 130	225	290	260	8x M12 x 40	17	5	160	195	11	175	8x M8 x 20	150	5	176	45°
155	131 - 145	240	305	275	8x M12 x 40	17	5	160	214	11	194	8x M8 x 20	175	5	185	45°
170	146 - 160	255	320	290	8x M12 x 40	17	5	160	240	11	220	8x M8 x 20	200	5	185	45°
190	161 - 180	275	340	310	8x M12 x 40	17	5	160	270	13	240	8x M12 x 30	214	5	185	45°
200	181 - 190	285	350	320	8x M12 x 40	17	5	160	280	13	250	8x M12 x 30	224	5	185	45°
220	191 - 208	305	370	340	8x M12 x 40	17	5	160	300	13	270	8x M12 x 30	240	5	185	45°
240	209 - 228	345	425	390	12x M16 x 55	17	5	170	320	13	290	8x M12 x 30	260	5	195	30°
260	229 - 248	365	445	410	12x M16 x 55	17	5	175	340	16	310	8x M12 x 30	284	5	200	30°
280	249 - 264	385	465	430	12x M16 x 55	17	5	175	360	16	330	12x M12 x 30	300	5	200	30°
300	265 - 284	405	485	450	12x M16 x 55	17	5	175	375	16	346	12x M12 x 30	320	5	200	30°
330	285 - 314	435	515	480	12x M16 x 55	17	5	175	425	16	390	12x M12 x 30	360	6	200	30°
355	315 - 337	475	565	525	12x M20 x 60	19	5	195	450	16	416	12x M16 x 35	384	6	220	30°
380	338 - 362	500	590	550	12x M20 x 60	19	5	195	480	16	440	12x M16 x 35	406	6	220	30°

Despite the constant care and attention, we pay to the composition of this document, no rights can be derived from the contents. We accept no liability for any errors and / or omissions in the content of the document.