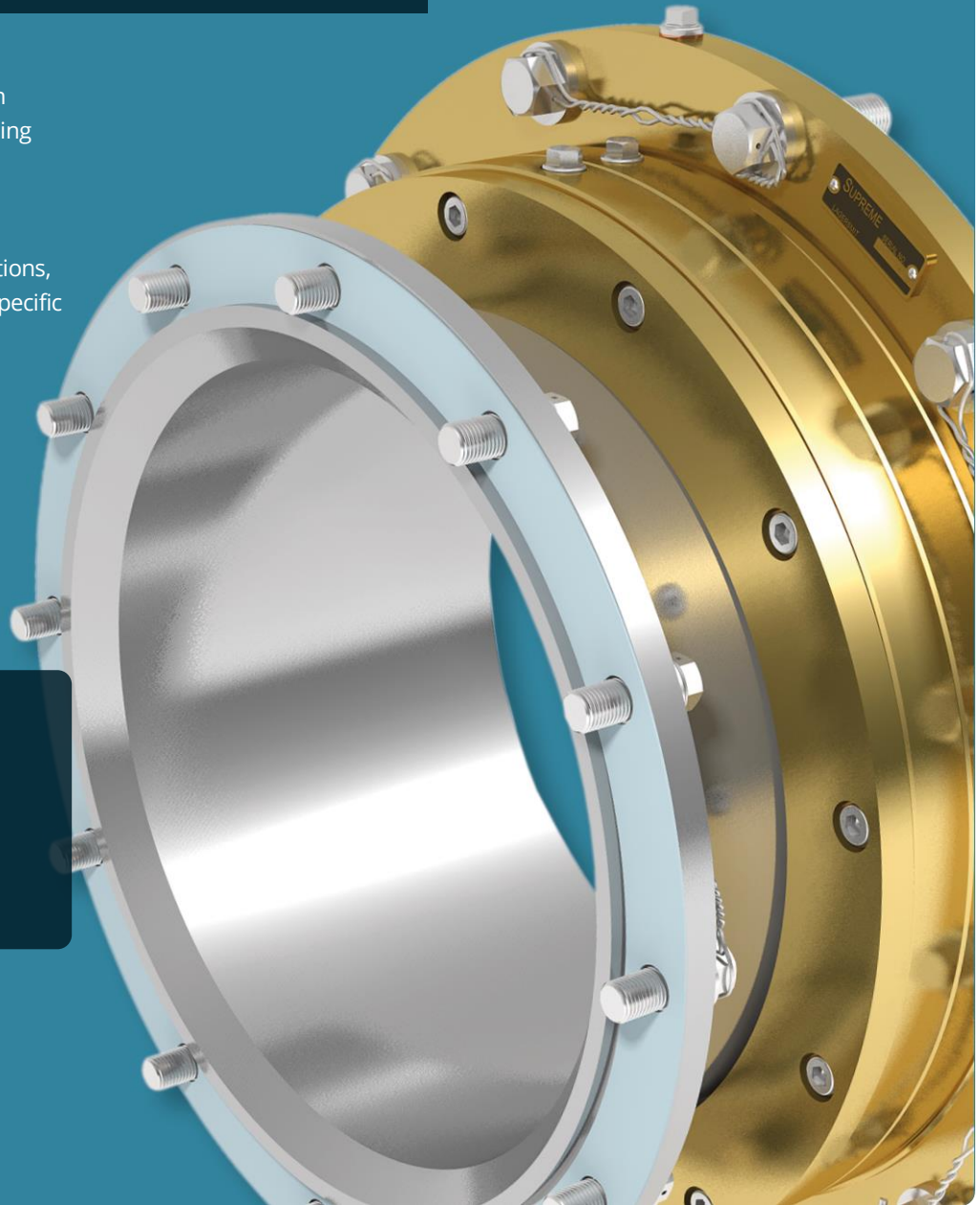


SUPREME® STANDARD

BASIC DESIGN FOR SEA GOING VESSELS

The Supreme Standard is the basic design for stern tube and thruster seals of seagoing vessels. This reliable sealing solution can be applied to CPP and FPP systems and is available in split type.

Complemented with a broad range of options, the seal can be fully customised to your specific needs.



ADVANTAGES

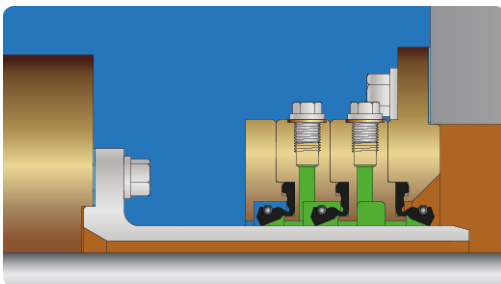
- Effective separation of water and lubricants
- Highly corrosion resistant
- Modular, Made-to-Measure
- Available in split type



MODULAR
DESIGN



SPLIT TYPE
OPTIONAL



MATERIALS STA

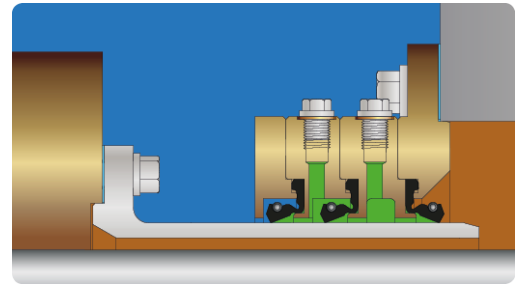
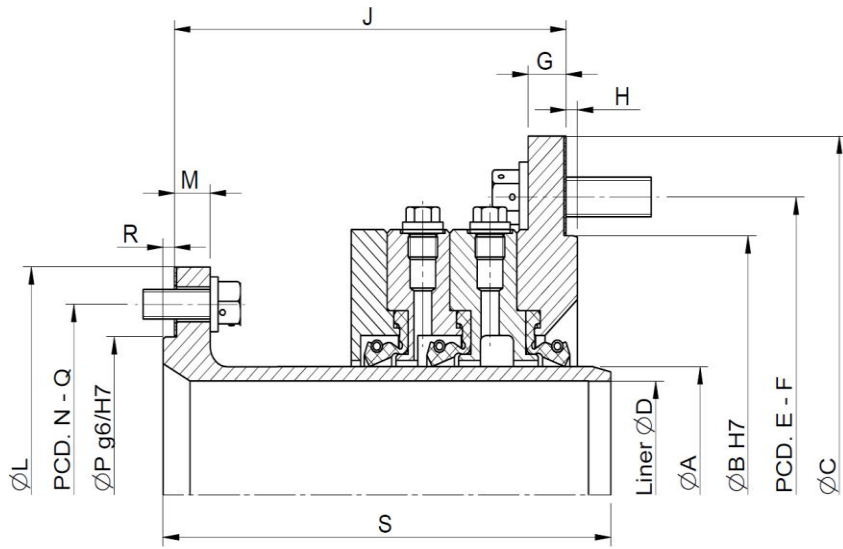
- NBR/FKM/FKM-EAL lip seals
- Bronze housing parts
- Stainless steel liner

MATERIALS STF

- NBR/FKM/FKM-EAL lip seals
- Cast iron housing parts
- Stainless steel liner

Type approvals from the major classification societies are available [here](#). Curious about all customized options? [Take a look at the overview for all possibilities!](#)

AFT SEAL (STA):



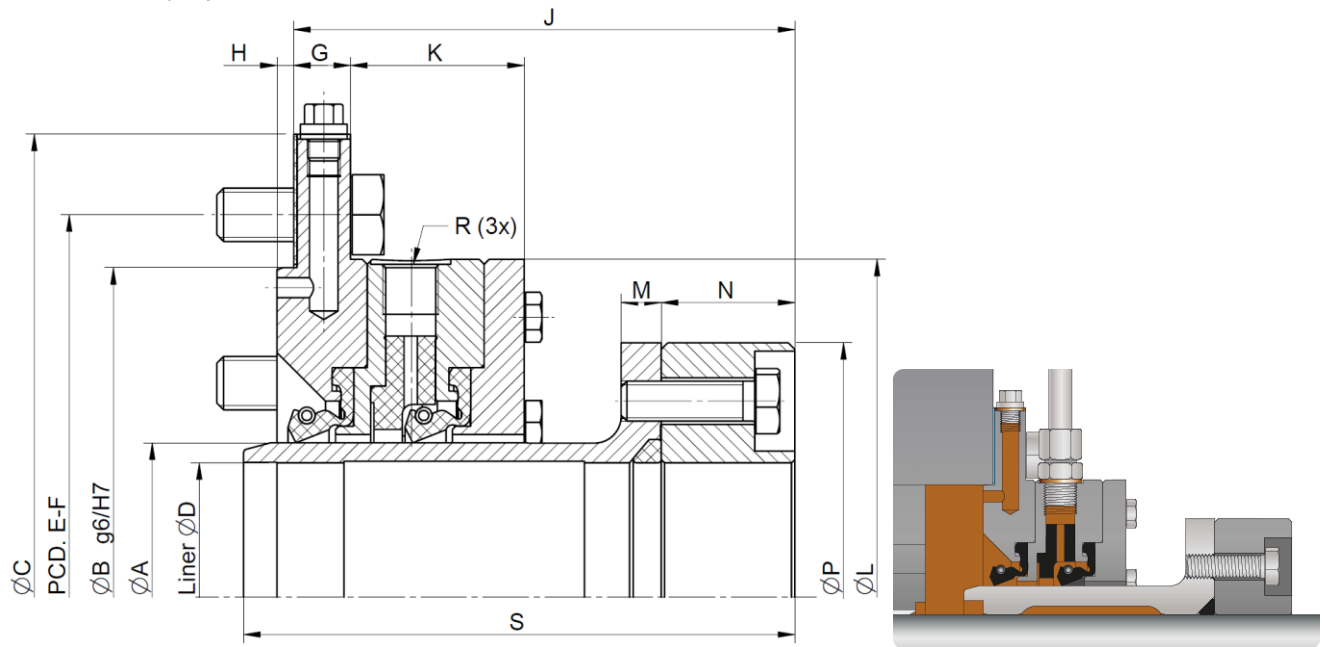
A	D	B	C	E	F	G	H	J	L	M	N	Q	P	R	S
140	116 - 130	225	290	260	8x M12 x 40	17	5	160	195	11	175	8x M8 x 20	150	5	176
155	131 - 145	240	305	275	8x M12 x 40	17	5	160	214	11	194	8x M8 x 20	175	5	185
170	146 - 160	255	320	290	8x M12 x 40	17	5	160	240	11	220	8x M8 x 20	200	5	185
190	161 - 180	275	340	310	8x M12 x 40	17	5	160	270	13	240	8x M12 x 30	214	5	185
200	181 - 190	285	350	320	8x M12 x 40	17	5	160	280	13	250	8x M12 x 30	224	5	185
220	191 - 208	305	370	340	8x M12 x 40	17	5	160	300	13	270	8x M12 x 30	240	5	185
240	209 - 228	345	425	390	12x M16 x 55	17	5	170	320	13	290	8x M12 x 30	260	5	195
260	229 - 248	365	445	410	12x M16 x 55	17	5	175	340	16	310	8x M12 x 30	284	5	200
280	249 - 264	385	465	430	12x M16 x 55	17	5	175	360	16	330	12x M12 x 30	300	5	200
300	265 - 284	405	485	450	12x M16 x 55	17	5	175	375	16	346	12x M12 x 30	320	5	200
330	285 - 314	435	515	480	12x M16 x 55	17	5	175	425	16	390	12x M12 x 30	360	6	200
355	315 - 337	475	565	525	12x M20 x 60	19	5	195	450	16	416	12x M16 x 35	384	6	220
380	338 - 362	500	590	550	12x M20 x 60	19	5	195	480	16	440	12x M16 x 35	406	6	220

Despite the constant care and attention, we pay to the composition of this document, no rights can be derived from the contents. We accept no liability for any errors and / or omissions in the content of the document.

A	D	B	C	E	F	G	H	J	L	M	N	Q	P	R	S
400	363 - 381	520	610	570	12x M20 x 60	19	5	200	500	21	460	12x M16 x 35	424	6	225
420	382 - 400	540	630	590	12x M20 x 60	19	5	200	520	21	486	12x M16 x 40	450	6	225
450	401 - 428	575	675	630	12x M20 x 60	19	5	225	550	21	510	12x M16 x 40	476	7	250
480	429 - 457	605	705	660	12x M20 x 60	22	5	225	590	21	550	12x M20 x 45	510	7	250
500	458 - 476	625	725	680	12x M20 x 60	22	5	225	600	21	560	12x M20 x 45	526	7	250
530	477 - 504	655	755	710	12x M20 x 60	22	5	225	630	21	590	12x M20 x 45	550	7	250
560	505 - 532	700	820	765	12x M24 x 75	24	5	240	675	21	630	12x M20 x 45	588	8	262
600	533 - 570	740	860	805	12x M24 x 75	24	5	240	700	21	660	12x M20 x 45	620	8	262
630	571 - 598	770	890	835	12x M24 x 75	24	5	245	760	26	710	12x M24 x 55	670	8	268
670	599 - 635	810	930	875	12x M24 x 75	24	5	245	820	26	750	12x M24 x 55	710	9	268
710	636 - 672	865	990	930	16x M24 x 75	26	5	280	840	26	790	12x M24 x 55	740	9	310
750	673 - 710	905	1030	970	16x M24 x 75	26	5	280	885	26	836	16x M24 x 55	780	9	311
800	711 - 750	960	1090	1030	20x M24 x 75	26	5	310	945	31	890	16x M24 x 55	825	9	348
850	751 - 795	1010	1140	1080	20x M24 x 75	26	5	310	1000	31	950	16x M24 x 55	870	9	348
900	796 - 840	1065	1200	1135	20x M24 x 75	36	7	330	1070	31	1020	16x M24 x 55	920	9	361
950	841 - 890	1115	1250	1185	20x M24 x 75	36	7	330	1130	31	1070	16x M24 x 55	970	9	361

Despite the constant care and attention, we pay to the composition of this document, no rights can be derived from the contents. We accept no liability for any errors and / or omissions in the content of the document.

FORWARD SEAL (STF):



A	D	B	C	E	F	G	H	J	K	L	M	N	P	R	S
140	116 - 130	225	290	260	8x M10 x 40	17	5	138	52	235	10	35	200	G 3/8"	150
155	131 - 145	240	305	275	8x M12 x 40	17	5	138	52	250	10	35	210	G 3/8"	150
170	146 - 160	255	320	290	8x M12 x 40	17	5	138	52	265	10	35	230	G 3/8"	150
190	161 - 180	275	340	310	8x M12 x 40	17	5	138	52	285	12	35	250	G 3/8"	155
200	181 - 190	285	350	320	8x M12 x 40	17	5	145	52	295	12	40	260	G 3/8"	160
220	191 - 208	305	370	340	8x M12 x 40	17	5	145	52	315	12	40	280	G 3/8"	160
240	209 - 228	345	425	390	12x M16 x 55	17	5	150	52	350	12	40	300	G 3/8"	165
260	229 - 248	365	445	410	12x M16 x 55	17	5	150	52	370	12	40	320	G 3/8"	165
280	249 - 264	385	465	430	12x M16 x 55	17	5	155	52	390	15	40	350	G 3/8"	170
300	265 - 284	405	485	450	12x M16 x 55	17	5	160	52	410	15	40	370	G 3/8"	180
330	285 - 314	435	515	480	12x M16 x 55	17	5	160	52	440	15	40	400	G 3/8"	180
355	315 - 337	475	565	525	12x M20 x 60	19	5	175	60	465	15	40	430	G 3/8"	195
380	338 - 362	500	590	550	12x M20 x 60	19	5	175	60	490	15	40	460	G 3/8"	195

Despite the constant care and attention, we pay to the composition of this document, no rights can be derived from the contents. We accept no liability for any errors and / or omissions in the content of the document.

A	D	B	C	E	F	G	H	J	K	L	M	N	P	R	S
400	363 - 381	520	610	570	12x M20 x 60	19	5	180	60	510	20	50	480	G 3/8"	195
420	382 - 400	540	630	590	12x M20 x 60	19	5	185	60	530	20	50	500	G 3/8"	200
450	401 - 428	575	675	630	12x M20 x 60	19	5	185	60	560	20	50	530	G 3/8"	200
480	429 - 457	605	705	660	12x M20 x 60	22	5	190	60	590	20	50	560	G 3/8"	205
500	458 - 476	625	725	680	12x M20 x 60	22	5	190	60	610	20	50	580	G 3/8"	205
530	477 - 504	655	755	710	12x M20 x 60	22	5	195	60	640	20	55	610	G 3/8"	210
560	505 - 532	700	820	765	12x M24 x 75	24	5	200	60	670	20	55	650	G 3/8"	210
600	533 - 570	740	860	805	12x M24 x 75	24	5	205	60	710	20	55	700	G 3/8"	215
630	571 - 598	770	890	835	12x M24 x 75	24	5	220	60	740	25	55	730	G 3/8"	235
670	599 - 635	810	930	875	12x M24 x 75	24	5	240	60	780	25	60	770	G 3/8"	250
710	636 - 672	865	990	930	16x M24 x 75	26	5	245	64	820	25	60	830	G 3/8"	265
750	673 - 710	905	1030	970	16x M24 x 75	26	5	245	64	860	25	60	870	G 3/8"	260
800	711 - 750	960	1090	1030	20x M24 x 75	26	5	248	64	910	25	60	910	G 3/8"	260
850	751 - 795	1010	1140	1080	20x M24 x 75	26	5	248	64	960	30	60	960	G 3/8"	260
900	796 - 840	1065	1200	1135	20x M24 x 75	36	7	257	69	1010	30	65	1010	G 3/8"	270
950	841 - 890	1115	1250	1185	20x M24 x 75	36	7	267	69	1070	30	75	1080	G 3/8"	280

Despite the constant care and attention, we pay to the composition of this document, no rights can be derived from the contents. We accept no liability for any errors and / or omissions in the content of the document.